

66SV3/1AG150T/E

Technical data

Company name
Contact
Phone number
e-mail address

Operating data

Pumpe type	Single head pump	Fluid	Water, pure
Av ailable system NPSH	m 0	Operating temperature t A	°C 4
Nominal flow	m ³ /h 65	pH-value at t A	7
Nominal head	m 60	Density at t A	kg/dm ³ 1
Static head	m 0	Kin. viscosity at t A	mm ² /s 1.569
Inlet pressure	bar 0.098	Vapor pressure at t A	bar 0.00789
Environmental temperature	°C 20	Solids	0
		Altitude	m 0

Pump data

Make	Lowara	Nominal	m ³ /h 65.6 (65.6)
Speed	1/min 2900	Flow	Max- m ³ /h 85
Number of stages	3	Min-	m ³ /h
Max. casing pressure	bar	Nominal	m 61
Max. working pressure	bar 8.4	Head	at Qmax m 44
Head H(Q=0)	m 85	at Qmin	m 84.7
Weight	kg 185	Shaft power	kW 14.1 (14.1)
Max.	mm 149	Max. shaft power	kW 14.3
Impeller R	designed mm 149	Efficiency	% 77.11
Min.	mm 149	NPSH 3%	m 3.6

Pump Materials

Pump body	Cast iron
Lower support	Cast iron
Impeller	Stainless steel / AISI 316L
Diffuser	Stainless steel / AISI 304
Outer sleeve	Stainless steel / AISI 304
Shaft	Stainless steel / AISI 431
Adapter	Cast iron
Wear ring	Technopolymer PPS
Coupling	Cast iron
Upper head	Cast iron
SEAL HOUSING	Cast iron
Coupling protection	Stainless steel / AISI 304
Shaft sleeve and bushing	Tungsten carbide
Bushing for diffuser	Carbon
Fill / drain plugs	Stainless steel / AISI 316

Shaft Seal

e-SV Mechanical seal	Roten
e-SV - Uniten (-30 / +120 °C)	
1 - Rotating part	Silicon Carbide
2 - Stationary part	Resin impregnated carbon
3 - Elastomers	EPDM
4 - Springs	AISI 316
5 - Other components	AISI 316

Motor data

Manufacturer	Lowara	Electric voltage	400 V	Speed	2930 1/min	Insulation class	F
Specific design	IE3 3ph Flange Motor - Premium Efficiency		Frame size	160 M	Colour	RAL 5010	
Type	3MAS 160 M B5 15 kW						
Rated power	15 kW	Degree of protection IP55					
Electric current	26.6 A						

Remarks:

66SV3/1AG150T/E

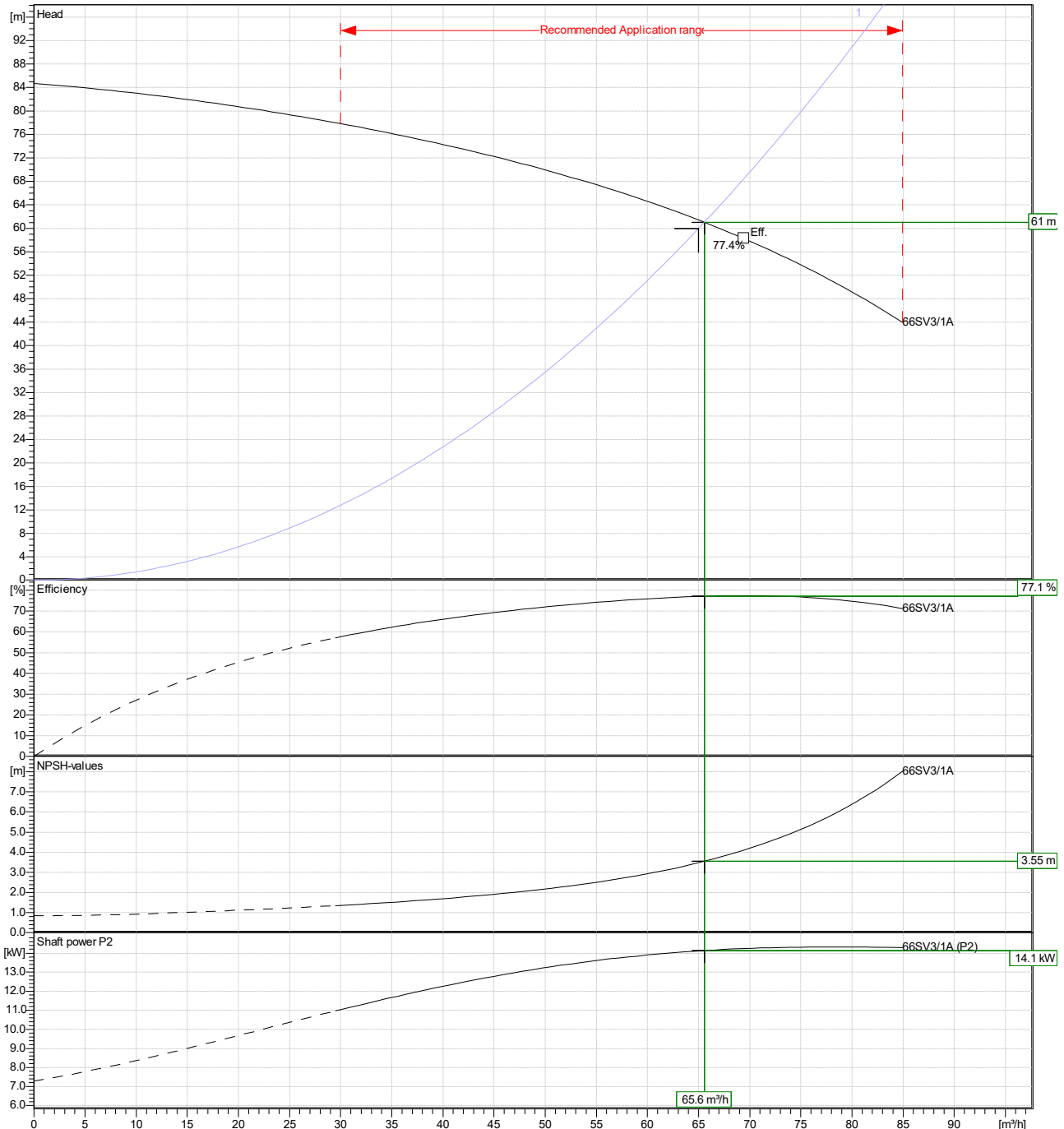
Performance curve

Company name
Contact
Phone number
e-mail address

Hydraulic data

Operating Data Specification		Hydraulic data (duty point)		Impeller design	
Flow	65 m³/h	Flow	65.6 m³/h	Impeller R	149 mm
Head	60 m	Head	61 m	Frequency	50 Hz
Static head	0 m	MEI >=0,7		Speed	2900 1/min

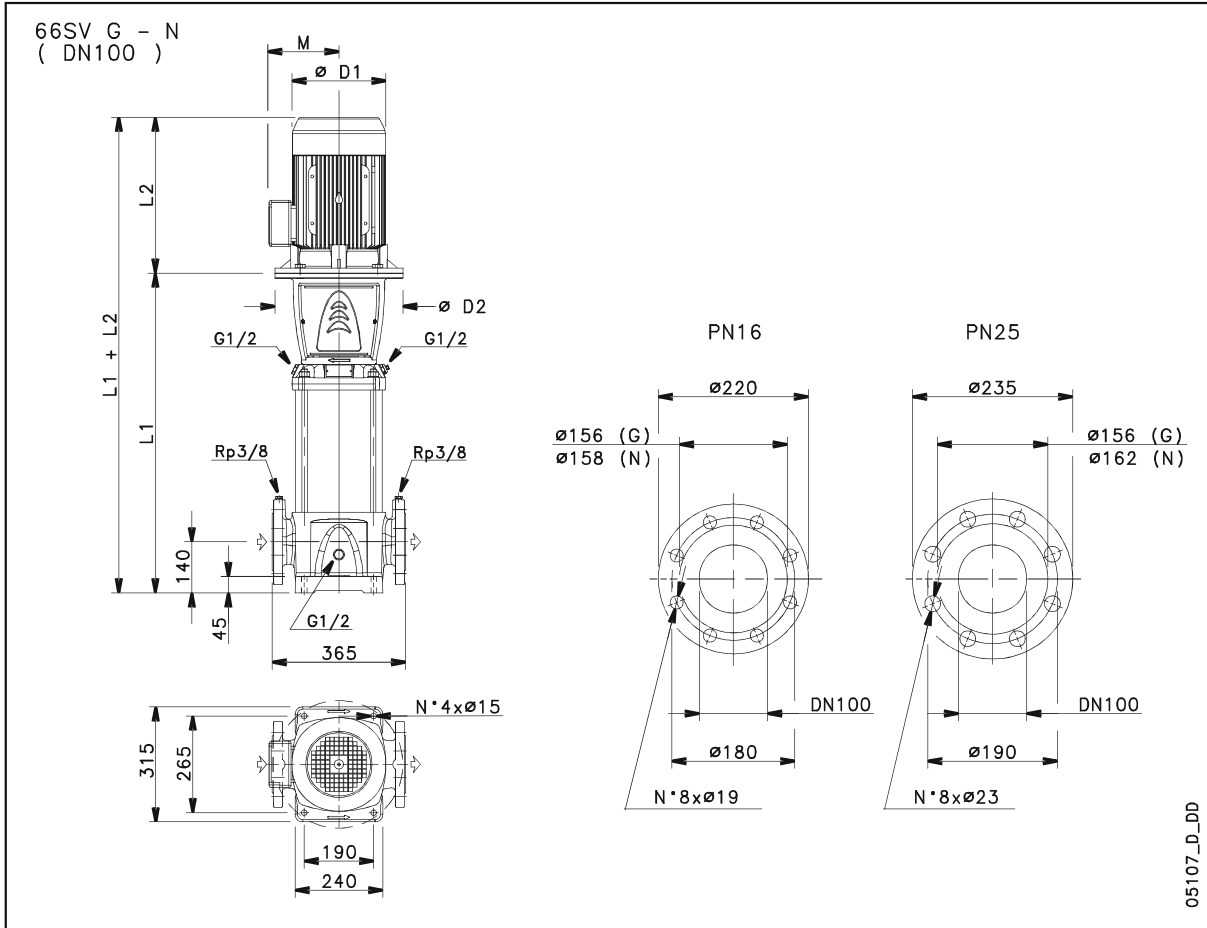
Power data referred to:
Water, pure [100%] ; 4°C; 1kg/dm³; 1.57mm²/s
Performance according to ISO 9906:2012 – Grade 3B



Dimensions

Company name
Contact
Phone number
e-mail address

Drawing



Dimensions mm

D1	321					Weight 200 kg
D2	350					
L1	789					
L2	499.5					
M	252					

GSD20/66SV3/1AG150T

Technical data

Company name
Contact
Phone number
e-mail address

Operating data							
1	Pumpe type	Single-/Multi-pump set		Fluid		Water, pure	
2	No. of pumps	2		Operating temperature t A		°C 4	
3	Nominal flow	m ³ /h	65	pH-value at t A		7	
4	Nominal head	m	60	Density at t A		kg/dm ³ 1	
5	Static head	m	0	Kin. viscosity at t A		mm ² /s 1.569	
6	Inlet pressure	bar	0.098	Vapor pressure at t A		bar 0.00789	
7	Environmental temperature	°C	20	Solids		0	
8	Available system NPSH	m	0	Altitude		m 0	
Pump data							
9	Pump designation			Impeller Ø	Max.	mm	149
10	GSD20/66SV3/1AG150T				designed	mm	149
11	Design	Fixed speed sets			Min.	mm	149
12	Make			Flow	Nominal	m ³ /h	73 (36.5)
13					Max-	m ³ /h	85
14	Speed	1/min	2900		Min-	m ³ /h	
15				Head	Nominal	m	75.6
16	Max. working pressure	bar	8.4		at Qmax	m	44
17	Head H(Q=0)	m	85		at Qmin	m	84.7
18	Weight	kg	On demand	Shaft power		kW	23.7 (11.9)
19	Weight data include external package			Max. shaft power		kW	28.7
20				Efficiency		%	63.43
21				NPSH 3%		m	1.6
Materials							
22		Booster		Motor data			
23	Manifolds	Stainless steel, 1.4301, AISI 304		Manufacturer	Lowara	Electric voltage	380 V
24	On-off valves	Stainless steel, 1.4401, AISI 316		Specific design	IE3 Three phase surface motor		
25	Non-return valves	Stainless steel, 1.4301, AISI 304		Type	PLM160.../3150 E3		
26	Pressure switches	AISI 301		Rated power	15 kW	Electric current	27.5 A
27	Pressure transmitters	Stainless steel, 1.4401, AISI 316		Speed	2940 1/min	Degree of protection	IP 55
28	Caps/plugs/flanges	Stainless steel, 1.4401, AISI 316		Frame size	160	Insulation class	F
29	Fittings	Stainless steel, 1.4401, AISI 316		Weight	102 kg		RAL 5010
30	Bracket	Painted steel					
31	Base	Painted steel					
32							
Standard options							
33	Non return valve position			Non return valve in delivery side			
34	Set certificate						
35	Material Combination	/A304		GS 33-125 SV AISI A304 materials			
36	Pump Test			Set without certified pumps			
37	High pressure protection			Without high pressure protection on delivery			
38	Turned Delivery Manifold			Standard			
39	Oversize Piping			Standard manifold			
40	Control Panel Clean Contacts			Standard			
41	Protection Against Dry Running			Without protection against dry running			
42	Control Devices Oversized			Standard			
43	Delivery Side			Standard delivery			
44	Suction side			Standard suction			
45	Pressure Transmitter			Standard			
46	Control Panel Position			Standard position			
47	Electric Pump Special Seals			Standard			
48	Non-return Valve			Standard non-return valve			

Remarks

GSD20/66SV3/1AG150T

Performance curve

Company name
Contact
Phone number
e-mail address

Operating Data Specification

Flow 65 m³/h
Head 60 m
Static head 0 m

Hydraulic data (duty point)

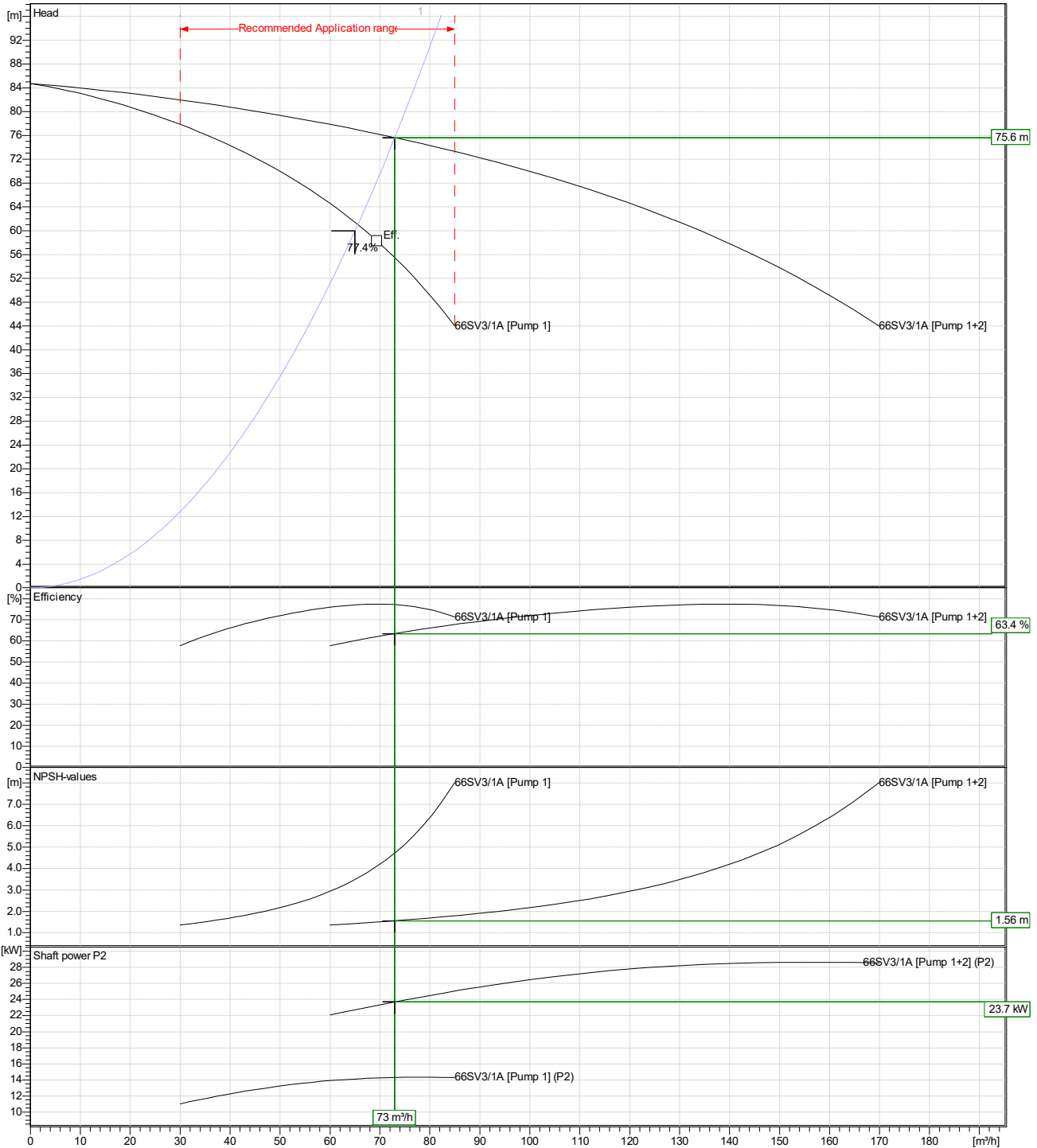
Flow 73 m³/h
Head 75.6 m
MEI: >=0,70 - according to Ecodesign Directive 2009/125/EC

Impeller design

Impeller R 149 mm
Frequency 50 Hz
Speed 1420 min

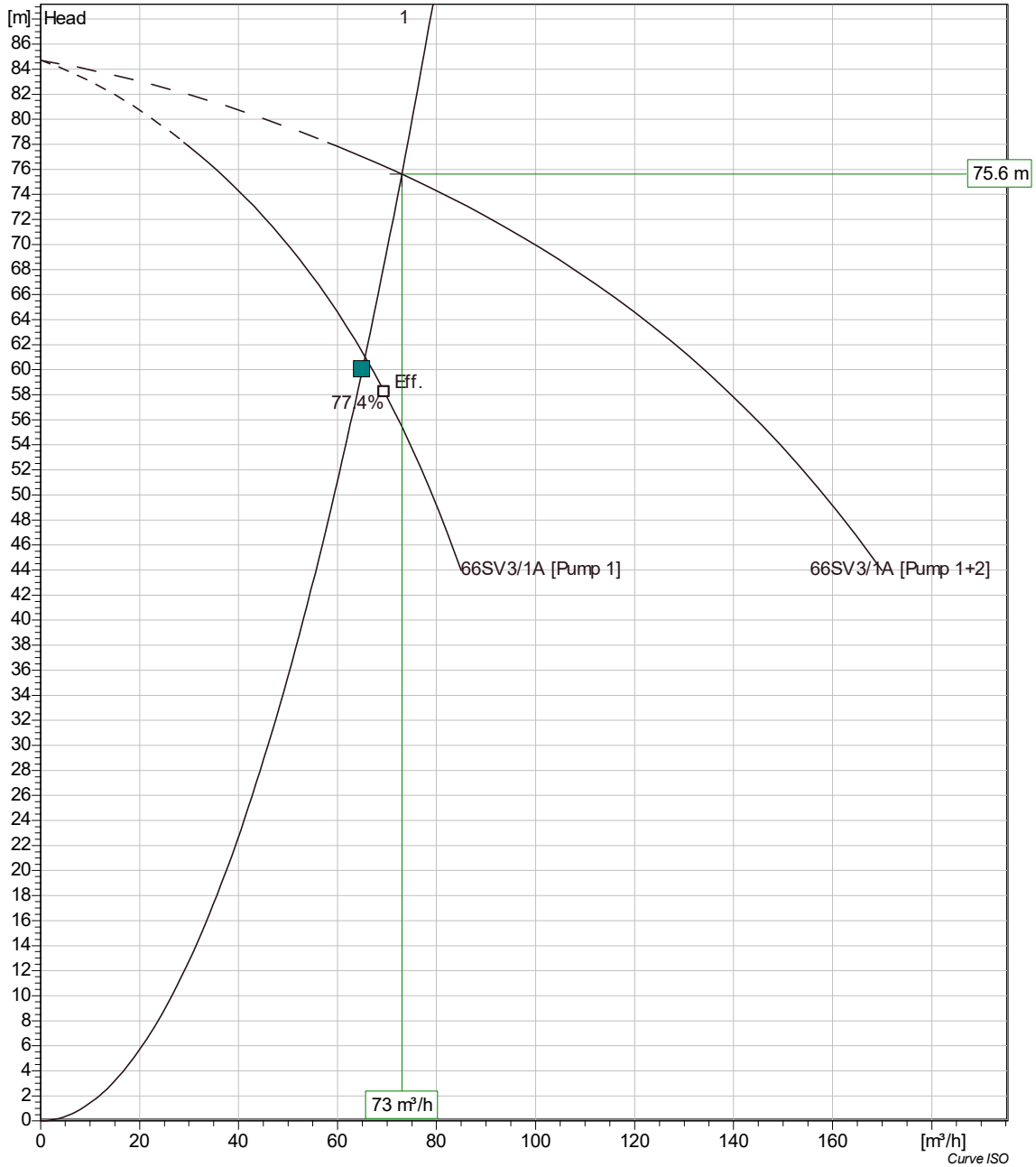
Power data referred to:

Water, pure [100%] ; 4°C; 1kg/dm³; 1.57mm²/s
Performance according to ISO 9906:2012 – Grade 3B



GSD20/66SV3/1AG150T

VFD Analysis

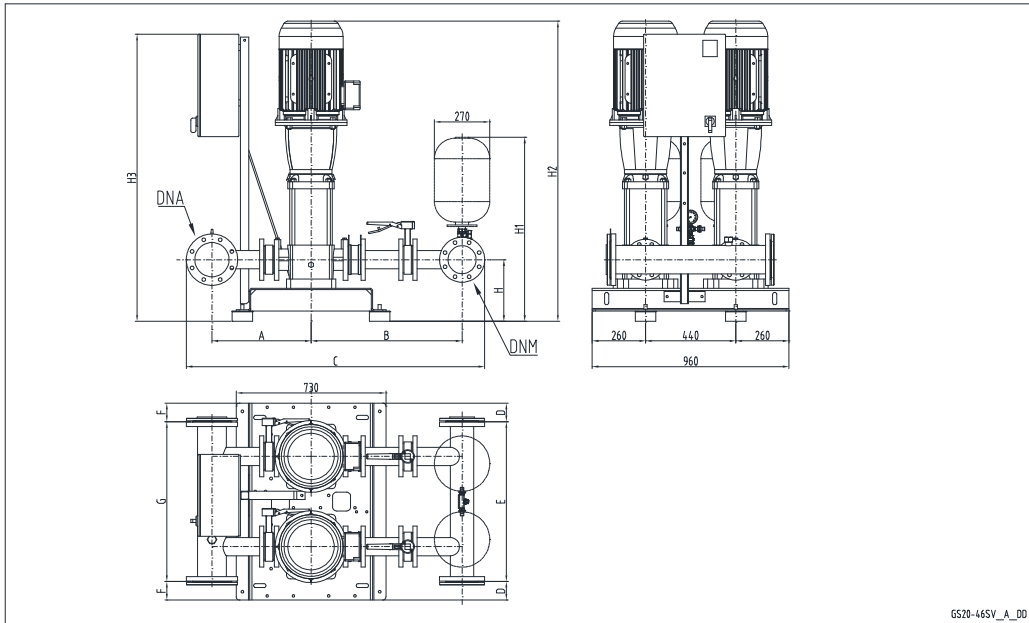


Pumps running /System	Frequency	Flow	Head	Shaft power	Flow	Head	Shaft power	Pump eff.	Specific energy	NPSHre
1	50 Hz	36.5 m³/h	75.6 m	11.9 kW	73 m³/h	75.6 m	23.7 kW	63.4 %	0.00035 kWh/l	1.56 m

Project	Project ID	Created by	Created on	Last update
			10/03/2024	

Dimensions

Company name
Contact
Phone number
e-mail address



GSD20-465V_A_00

PLEASE NOTE:

Dimensions		mm				
A	503.5	H	300			Weight (Include external package) On demand
B	779.5	H1	920			
C	1550.5	H2	1443			
D	90	H3	1400			
DNA	150					
DNM	125					
E	780					
F	70					
G	820					

Project	Created by	Last update
Block 2: GSD20/66SV3/1AG150T	Created on 10/03/2024	

Program version 72.0 - 20.02.2024 (Build 175)	Data version 28.02.2024 14:08	User group(s) Xylem:Israel - EXT
--	----------------------------------	-------------------------------------